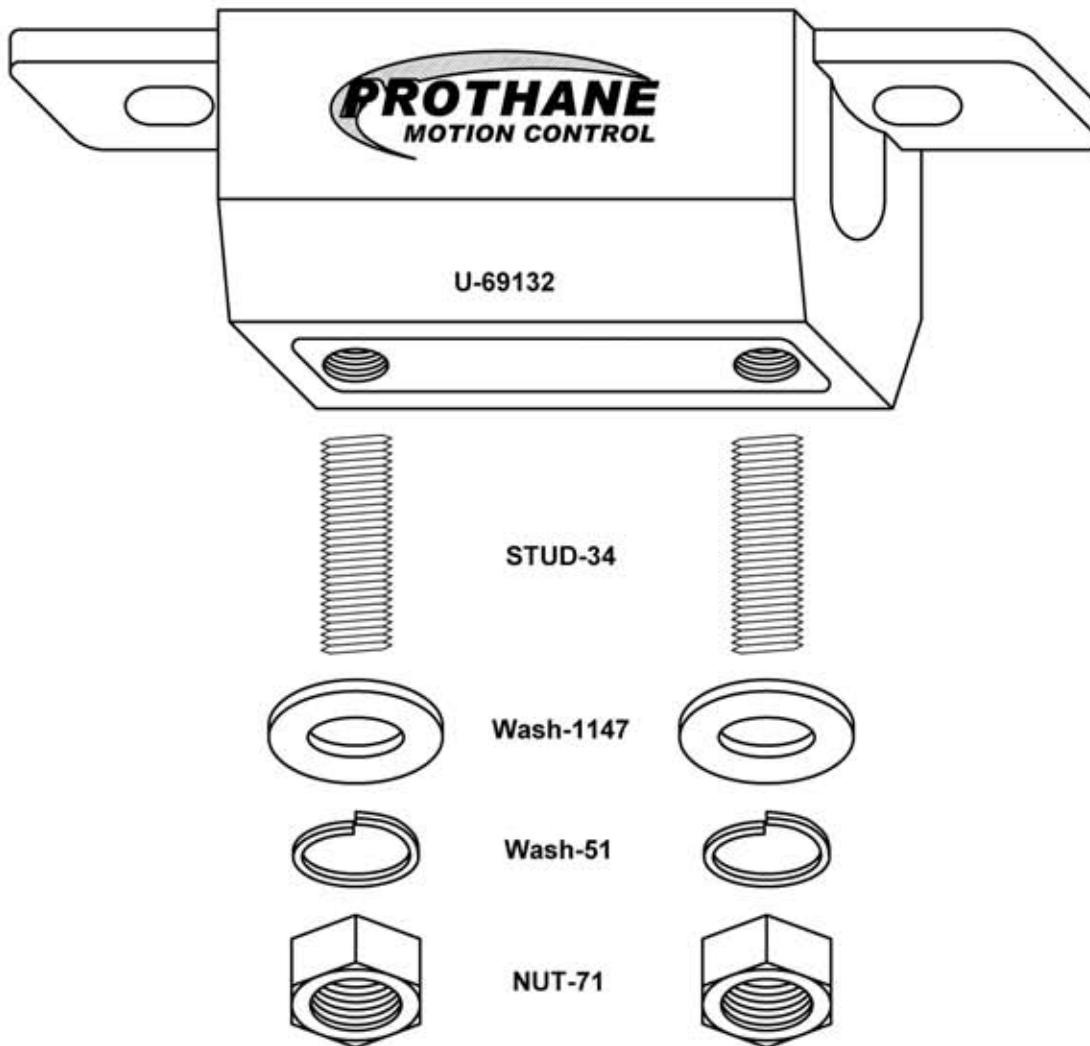


# TRANSMISSION MOUNT INSTALLATION INSTRUCTIONS

- 1) Prepare the new transmission mount for installation by installing the provided studs into the new mount. Thread the stud in by hand until it's snug. Then using the supplied nuts, double-nut the stud and securely tighten in the mount. Repeat for second stud. (See Diagram Below)
- 2) Bolt the mount to the transmission using the original hardware, but do not tighten.
- 3) Align the transmission/mount with the crossmember. First tighten the bolts that hold the mount to the transmission to factory specifications.
- 4) Install the flat washers, lock washers, and nuts in the proper sequence using the diagram below for reference. Tighten the nuts to 50ft-lbs.



## Parts List For Ford Mustang Kit #6-1608

Part #	Description	Qty
U-69132	Transmission Mount	1ea
Stud-34	7/16"-14 x 1-1/2" Threaded Stud	2ea
Nut-71	7/16"-14 Hex Nut	2ea
Wash-1147	7/16" Flat Washer	2ea
Wash-51	7/16" Split Lock washer	2ea