



TRACK ARM/PANHARD BUSHING INSTALLATION INSTRUCTIONS

Prothane Motion Control highly recommends this and all our polyurethane suspension kits be installed by a qualified automotive technician.

| Parts List: | QTY. |
|---------------|------|
| U-64419 | 2 |
| U-64420 | 4 |
| U-64421 | 4 |
| U-64416 | 4 |
| U-64417 | 4 |
| U-64418 | 2 |
| SLV-60698 | 4 |
| SLV-60669-001 | 6 |

! Please refer to a factory service manual before any disassembling or reassembling of your vehicle, for proper specifications. Check service manual to make sure all torque specs are properly done.

Make sure to mark any eccentrics that should be properly aligned prior to disassembly, to reference from when reassembling. re-align the vehicle after bushings have been installed.

WARNING:

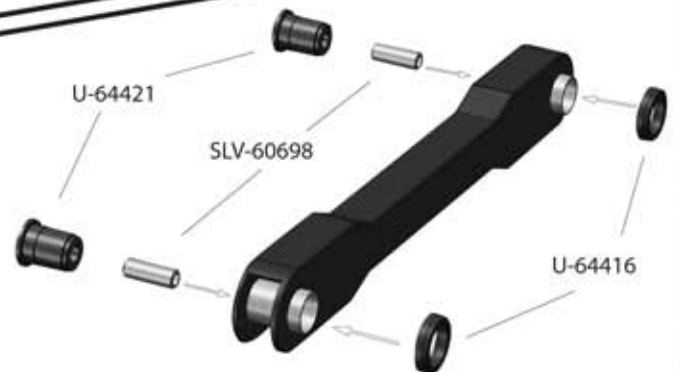
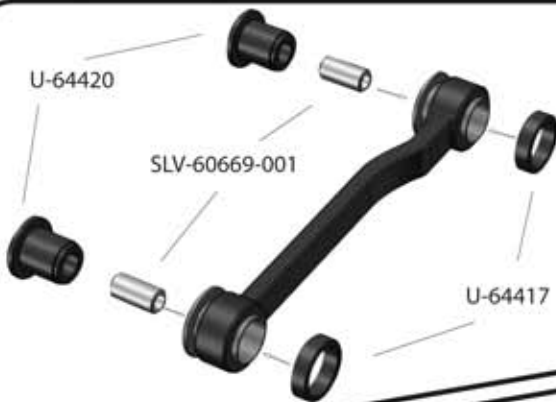
This vehicle has been modified so that the steering, braking and handling of this vehicle will differ from Original equipment. Intentionally drive very carefully as to get use to this difference handling, braking and overall performance. If replacing original tires with a larger set of tires there is a chance that the speedometer may read lower than the actual speed presented.

The kit provided does NOT contain new shells for the bushings, make sure not to damage stock shells while removing rubber bushings. Apply heat around the outer diameter of the metal shell to break the bond between the original rubber bushing, and inner diameter of the metal shell. Keep applying heat until you see smoke coming from the O.D. of rubber bushing by then the bond should be broken between the shell, and rubber bushing.

Stages & Procedures :

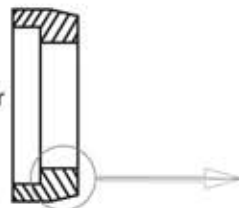
CAUTION! Both the old rubber, and inner sleeves may be preloaded so make sure to carefully remove them. During hard cornering the Thrust washers are used for preventing the control arms from moving in lateral directions.

UPPER CONTROL ARM:



LOWER CONTROL ARM:

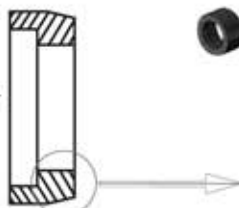
Install Thrust Washer smaller I.D. section facing away from control arm surface.



SECTION VIEW: U-64416

TRACK ROD:

Install Thrust Washer smaller I.D. section facing away from control arm surface.



SECTION VIEW: U-64418



Stages & Procedures :