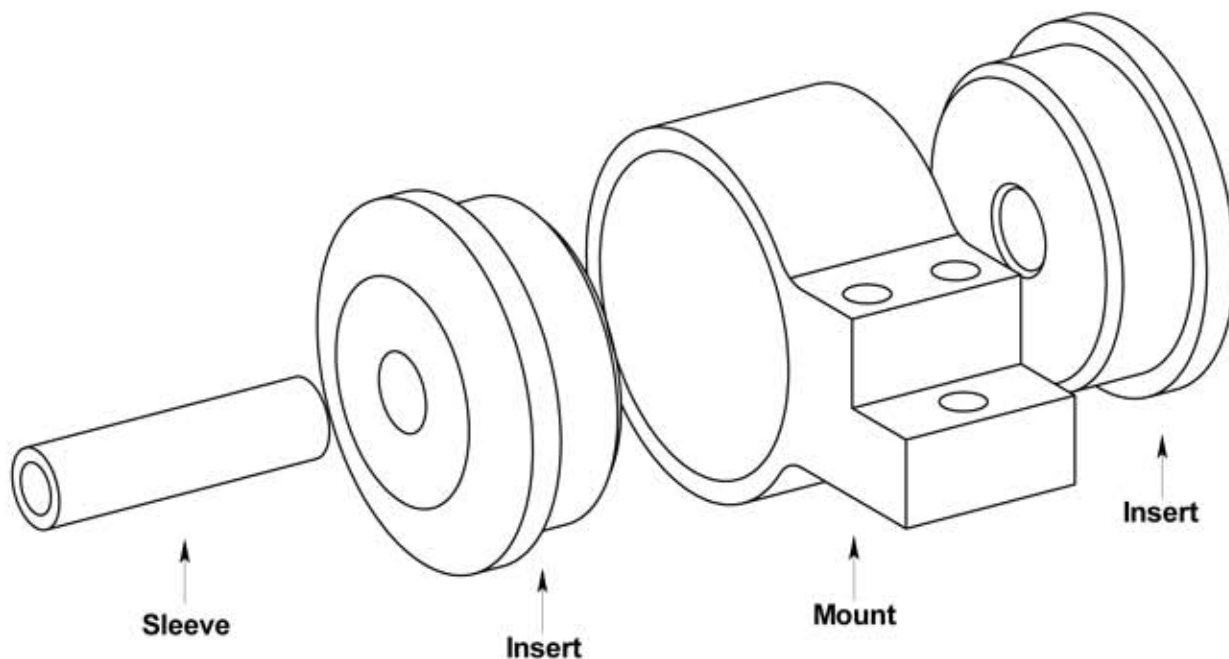


MOTOR MOUNT INSERT INSTALLATION INSTRUCTIONS

The *Prothane Polyurethane High Performance Motor Mounts* you have just purchased are a complete replacement for the original rubber portion of your mounts. Please read all instruction details before beginning the installation.

- 1) Securely support the weight of the engine and transmission. Remove original motor mount.
- 2) The complete rubber portion of the mount must be removed from the bracket including the pressed in steel outer shell. The original mount/bracket will be reused. Note: original mounts may be aluminum(see diagram) or steel. Remove the rubber mount bushing by pressing out with an arbor press. Do not damage mount/bracket.
- 3) Clean the inside of the mount/bracket in preparation for the new bushings. De-burr if necessary.
- 4) Install the new bushings by hand, one side at a time. Press in until fully seated. No grease is required.
- 5) Install new gold zinc plated steel center sleeve by hand. No grease is required.
- 6) Bolt new mount back onto engine/transmission first, and then maneuver the engine/transmission back into position. Install thru-bolt and tighten to factory specifications. Repeat steps 1 thru 6 for each mount.



PARTS LIST FOR 13-501

PART #	DESC.	QTY
U-69052	INSERT BUSHING	2
SLV-60756	7/8x1/2IDx2.915L SLEEVE	1

PARTS LIST FOR 13-506

PART #	DESC.	QTY
U-69087	INSERT BUSHING	2
SLV-60789	3/4x.406IDx2.19L SLEEVE	1

PARTS LIST FOR 13-503

PART #	DESC.	QTY
U-69051	INSERT BUSHING	2
SLV-60757	7/8x1/2IDx3.265L SLEEVE	1

PARTS LIST FOR 13-509

PART #	DESC.	QTY
U-69153	INSERT BUSHING	2
SLV-60756	7/8x1/2IDx2.915L SLEEVE	1